



THE FOUR BOARDSMAN

From the first board to the last, wood or metal joists, straight or angled patterns, our new and improved deck clips give you the upper hand.

ONE-PASS FASTENING

Pre-assembled clips do not require partial installation—they stay in place on the joist or groove until you're ready to fasten.

STRONGEST CLIP ON THE MARKET

CAMO Clips are up to 88% stronger than competitors' clips in reducing lateral movement and up to 50% stronger in uplift holding power.

FASTEN BY HAND OR STANDING UP

Install 2X faster with the included* NEVER-MISS® Guide or up to 5X faster with the CAMO ClipDRIVE™ or DRIVE.

CAMO Universal Deck Clips are backed by a CAMO Warranty for use with leading grooved deck boards.

Read the full warranty at camofasteners.com

**Included in 450 ct and 900 ct pails*



WEDGE™ FOR ANY
DECK PATTERN ON
WOOD JOISTS



EDGE® FOR 90°
DECK PATTERNS ON
WOOD JOISTS



WEDGEMETAL® FOR
ANY DECK PATTERN ON
14-18GA METAL JOISTS



STARTER
FOR THE FIRST BOARD
AND LAST BOARD
TO ACHIEVE A COMPLETELY
FASTENER-FREE DECK
SURFACE ON WOOD JOISTS

HOW TO



SET YOUR FIRST BOARD WITH CAMO STARTER CLIPS.



PLACE ROWS OF BOARDS AND CAMO CLIPS.



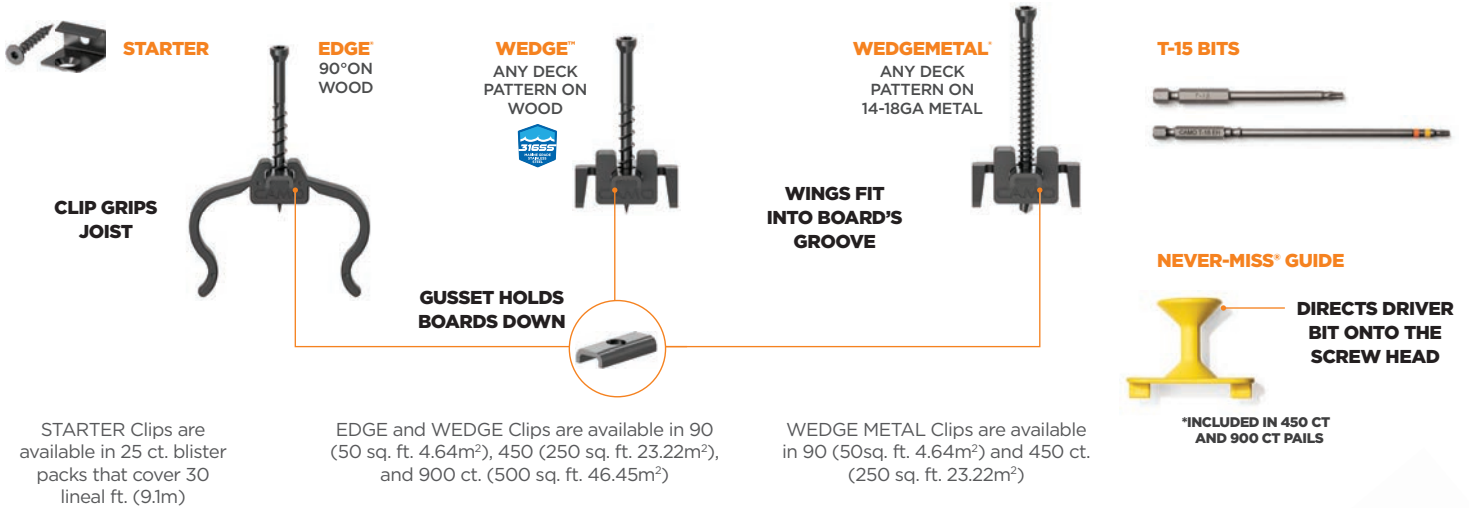
HOLD THE BOARDS TIGHTLY OR LOCK THEM IN PLACE WITH 2-4 CAMO LEVER® TOOLS.



FASTEN WITH THE INCLUDED* NEVER-MISS® GUIDE OR OPTIONAL CLIPDRIVE™ OR DRIVE TOOLS.

START USING THE BETTER DECK CLIP

- Clips create 3/16 in. (4.7mm) spacing between boards
- Top-down access allows for easy board removal if needed



**BUILD YOUR DECK UP TO
5X FASTER
USING THE CAMO® SYSTEM**



FASTENERS



LEVER



DRIVE +
CLIPDRIVE™