



ANY BOARD* ANY ANGLE ANY ENVIRONMENT

ONE-PASS, ONE-HANDED INSTALLATION

Pre-assembled clips do not require partial installation — they stay in place in the groove until you're ready to fasten.

316 STAINLESS STEEL MARINE GRADE

Offers the best corrosion resistance for coastal applications or projects in highly corrosive environments, like saltwater pool decks.

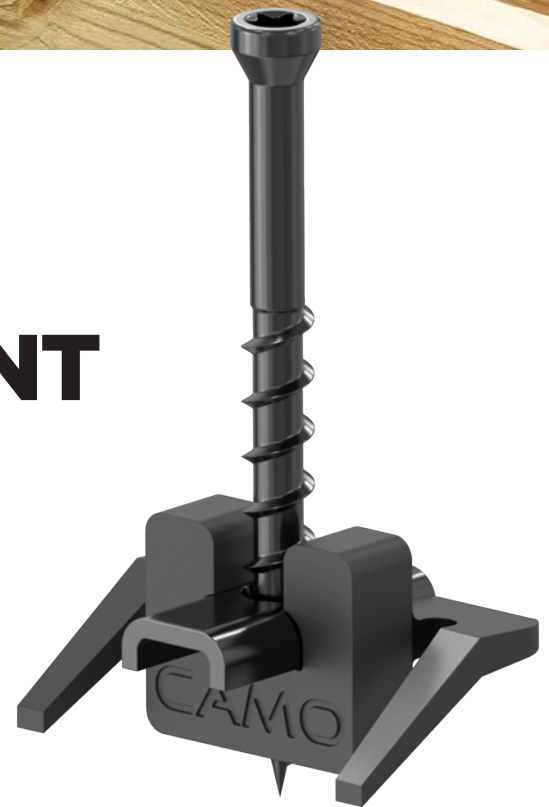
ANY BOARD, ANY ANGLE

Install grooved composite, PVC, and hardwood deck boards in 90-degree, diagonal, or herringbone patterns.

FASTEN BY HAND OR STANDING UP

Install 2X faster with the included** NEVER-MISS® GUIDE or up to 5X faster with the CAMO CLIPDRIVE™ or DRIVE.

WEDGE™ Clips are warranted by CAMO for use with Trex®, TimberTech® by AZEK®, Fiberon®, MoistureShield®, Deckorators®, and other leading brands. Read the full warranty at camofasteners.com



**WEDGE™ FOR ANY
DECK PATTERN ON
WOOD JOISTS**

*CAMO WEDGE™ Clips work in most leading grooved deck boards.



316SS MARINE GRADE

Best corrosion resistance for projects in highly corrosive environments

HOW TO



TILT THE WEDGE CLIP SO THE LOWER PRONGS ENTER THE GROOVE FIRST, THEN TILT THE CLIP BACK UP TO WEDGE INTO THE GROOVE.



PLACE A CLIP AT EVERY JOIST ALONG THE LENGTH OF THE BOARD.



SLIDE ON NEXT BOARD.



FASTEN WITH THE INCLUDED* NEVER-MISS® GUIDE OR OPTIONAL CLIPDRIVE™ OR DRIVE TOOLS.

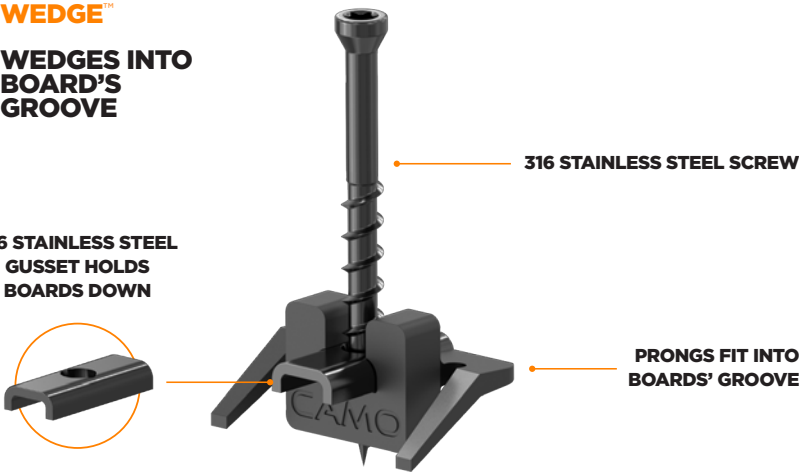
START USING THE BETTER DECK CLIP

- Clips create 3/16 in. (4.7mm) spacing between boards
- Top-down access allows for easy board removal if needed

WEDGE™

WEDGES INTO BOARD'S GROOVE

316 STAINLESS STEEL GUSSET HOLDS BOARDS DOWN



T-15 BITS



NEVER-MISS® GUIDE



DIRECTS DRIVER BIT ONTO THE SCREW HEAD

**INCLUDED IN 450 CT AND 900 CT PAILS

WEDGE™ Clips are available in 90 (50 sq. ft. 4.64m2), 450 (250 sq. ft. 23.22m2), and 900ct. (500 sq. ft. 46.45m2)

BUILD YOUR DECK UP TO
5X FASTER
USING THE CAMO® SYSTEM



FASTENERS



LEVER



DRIVE